

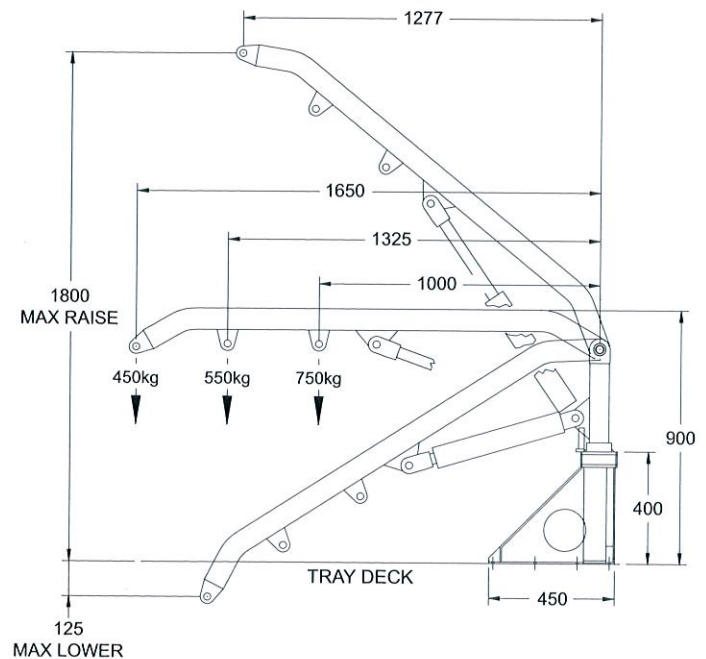
BUDGET UTE MOUNTED CRANE FOR ONE-TONNE VEHICLES



Optional 44 gallon drum attachment

Features:

- Complete kit includes: crane, DC powerpack, stabiliser leg, lifting accessories
- Huge 750 kg capacity
- 3 conveniently located lifting lugs
- Minimal tray modification required
- Controlled descent speed
- Corner mounting does not encroach on tray area
- Unique slew mechanism with safety ratchet
- Optional 44 gallon drum attachment
- Easily transferred to new vehicle when updating



PO Box 17 Bendigo 3552
207 Midland Highway
Bendigo Victoria Australia
Telephone: (03) 5445 6900



McCULLOCHS
HYDRAULIC ENGINEERS