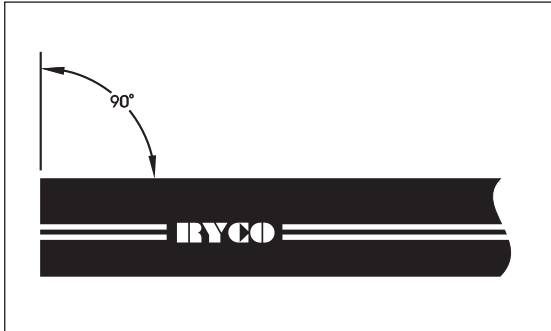


ASSEMBLY INSTRUCTIONS FOR:

RYCO FIELD ATTACHABLE COUPLINGS WITH RYCO SKIVE HOSE.

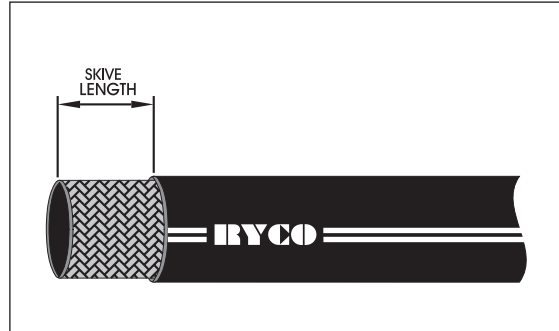
USE ONLY RYCO AS1D, AS2D and AJ2D SERIES HOSE.

(USE ALSO ON LARGER SIZES OF RYCO T1A, T1D, T2A, T2D and RQP2 HOSE, SEE NOTE 1 & 2 PAGE 324).



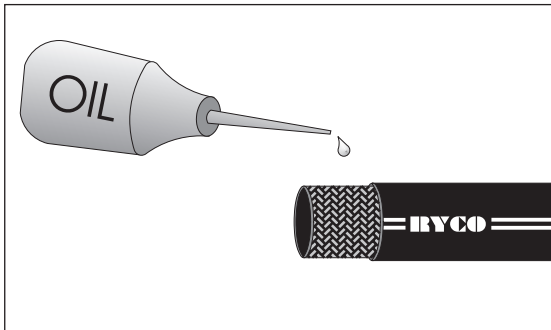
STEP ONE

Cut hose to length required using a cut-off saw.
Ensure hose is cut squarely.
Clean hose bore.



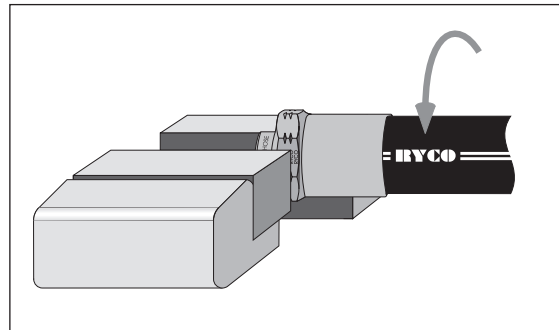
STEP TWO

Mark Skive Length. (refer to Hose specification pages).
Cut rubber cover around and down to wire reinforcement.
Slit lengthwise.
Raise flap and pull off with pliers.



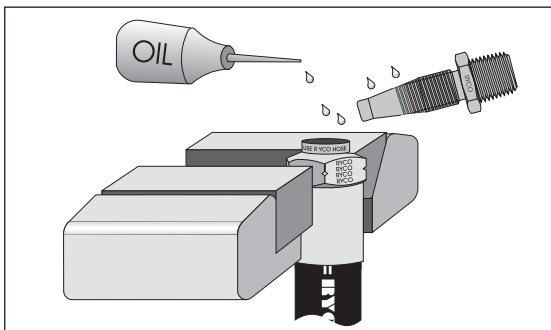
STEP THREE

Lubricate exposed wire reinforcement.



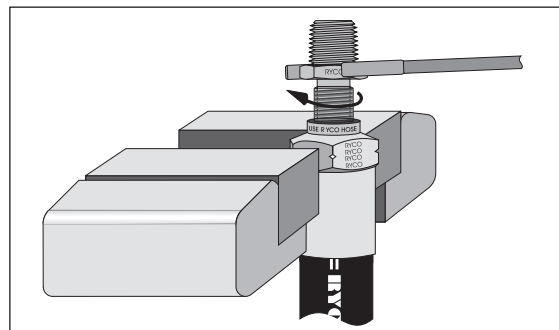
STEP FOUR

Screw anti-clockwise until hose bottoms in ferrule.
Ease back between 1/2 and 3/4 of a turn.



STEP FIVE

Liberal oil insert and inside of hose.



STEP SIX

Screw insert clockwise right into ferrule using a continuous motion.
Do not allow hose to turn during operation.